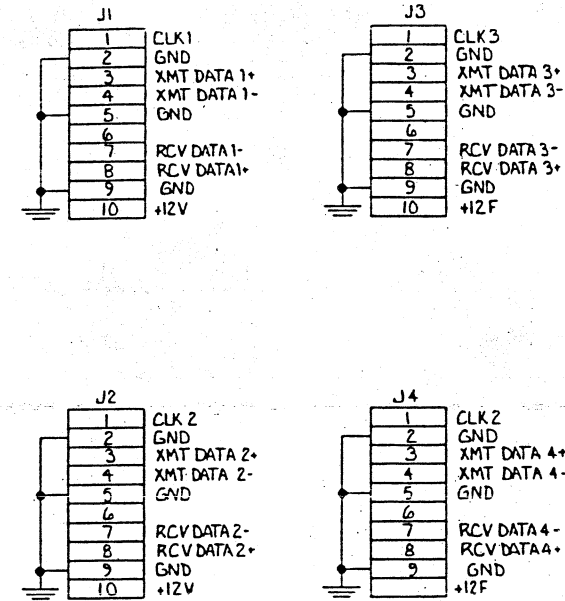


REVISIONS				
ZONE	REV	DESCRIPTION	DATE	APPROVED

LAST REFERENCE DESIGNATION USED	
RESISTOR	R11
RESISTOR MODULE	RJ4
CAPACITOR	C33
OSCILLATOR, CRYSTAL	Y1
FUSE	F1
SWITCH	SW6
DIODE	CR3
CONNECTOR HEADER	J4
INTEGRATED CIRCUIT	U51

REF. DESIG.	GATES USED PER TOTAL	PART NUMBER
U25	4/8	74LS240
U44	5/6	7404

	SIDE 2	SIDE 1		
SOLDER SIDE	+5V	A	CONNECTOR A	
		B		
	GND	C		
	+12V	D		
	BDOU7L	E		
	BRPLYL	F		
	BDINL	H		
		J		GND
		K		
	BIRQL	L		
	BIKIL	M		GND
	BIKOUTL	N		
	BB57L	P		BHALH
	BDMGIL	R		
	BDMGOL	S		
BINITL	T	GND		
BDALDOL	U			
BDALOIL	V			
COMPONENT SIDE	+5V	A	CONNECTOR B	
		B		
	GND	C		
		D		
	BDALD2L	E		
	BDALO3L	F		
	BDALO4L	H		
	BDALO5L	J		GND
	BDALO6L	K		
	BDALO7L	L		
	BDALO8L	M		GND
	BDALO9L	N		
	BDALDOL	P		
	BDALH1L	R		
	BDALH2L	S		
BDALH3L	T	GND		
BDALH4L	U			
BDALH5L	V	+5V		



6. ALL DIODES ARE IN914.
5. CAPACITOR VALUES ARE IN MICROFARADS.
4. RESISTOR VALUES ARE IN OHMS,  $\pm 5\%$ ,  $1/4W$ .
3. DESIGNATIONS SHOWN IN PARENTHESIS INDICATES WHERE SIGNAL ORIGINATES OR TERMINATES.

(2/B3)  
 \_\_\_\_\_ ZONE DESIGNATION.  
 \_\_\_\_\_ SHEET NUMBER.

2. SIGNALS SHOWN IN RECTANGLES ARE I/O CONNECTIONS.

AAI  
 \_\_\_\_\_ BOARD SIDE.  
 \_\_\_\_\_ PIN DESIGNATION.  
 \_\_\_\_\_ CONNECTOR DESIGNATION.

1. FOR ASSEMBLY DRAWING SEE 400200.
- NOTES: UNLESS OTHERWISE SPECIFIED.

UNLESS OTHERWISE SPECIFIED DIMENSIONS ARE IN INCHES TOLERANCES ARE: FRACTIONS DECIMALS ANGLES ± 1/64 .XX ± 0.02 16'30" .XXX ± .010		THIS DRAWING CONTAINS INFORMATION PROPRIETARY TO SIGMA INFORMATION SYSTEMS, INC. AND MAY NOT BE REPRODUCED OR USED FOR OTHER THAN MAINTENANCE PURPOSES WITHOUT PRIOR WRITTEN PERMISSION FROM AN OFFICER OF THE ABOVE FIRM.			
MATERIAL		DRAWN <i>Phil D'Amico</i> 5/87			
FINISH		CHECKED		SIZE D	
400200-100		ENGINEER		CODE IDENT. NO. SD400200	
NEXT ASSY.		APPROVED		DRAWING NO. SD400200	
USED ON		APPROVED		REV. NC	
APPLICATION		DO NOT SCALE DRAWING		WORK ORDER NO.	
				SCALE	
				SHEET 1 OF 6	

Dwg. No. 400200

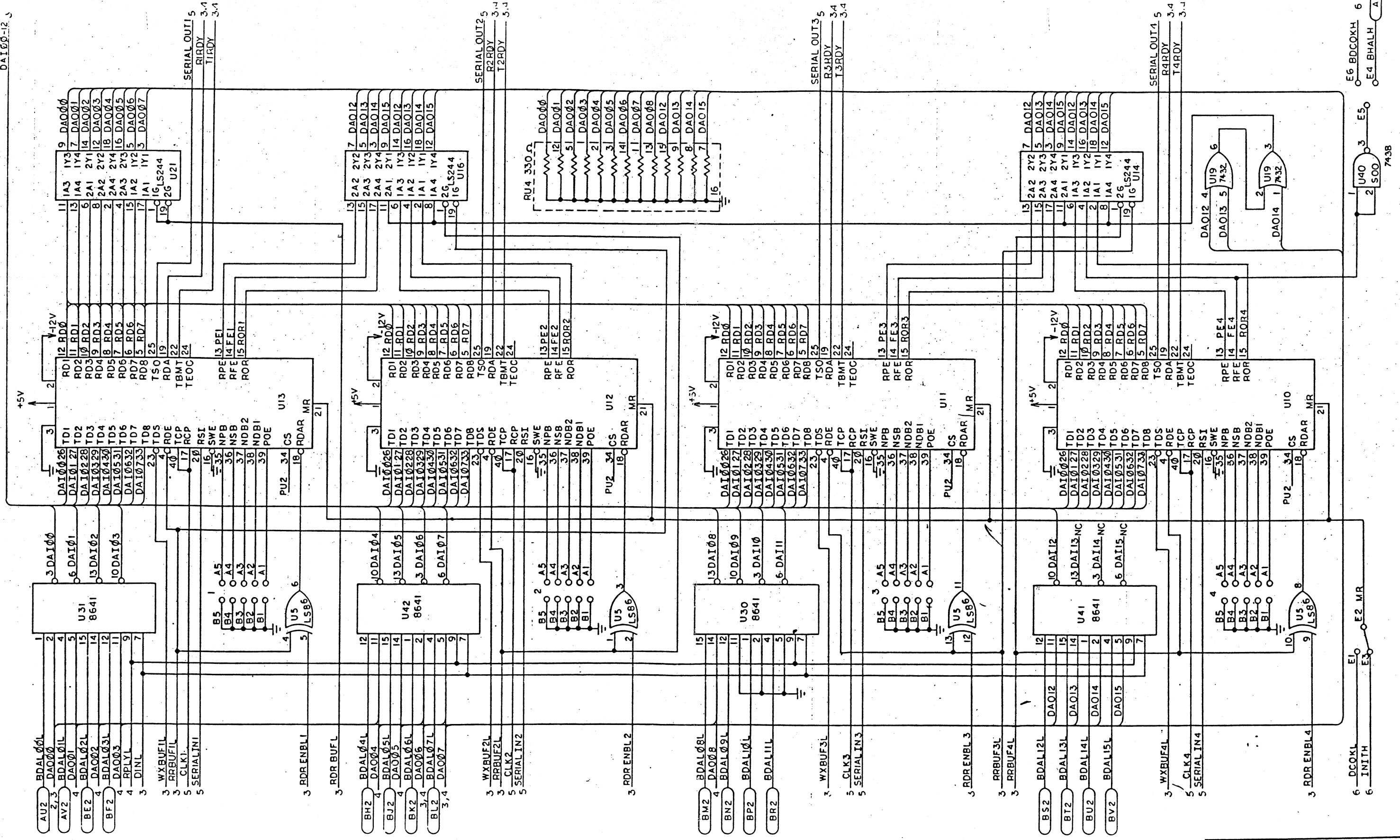
DAI00-12

D

C

B

A



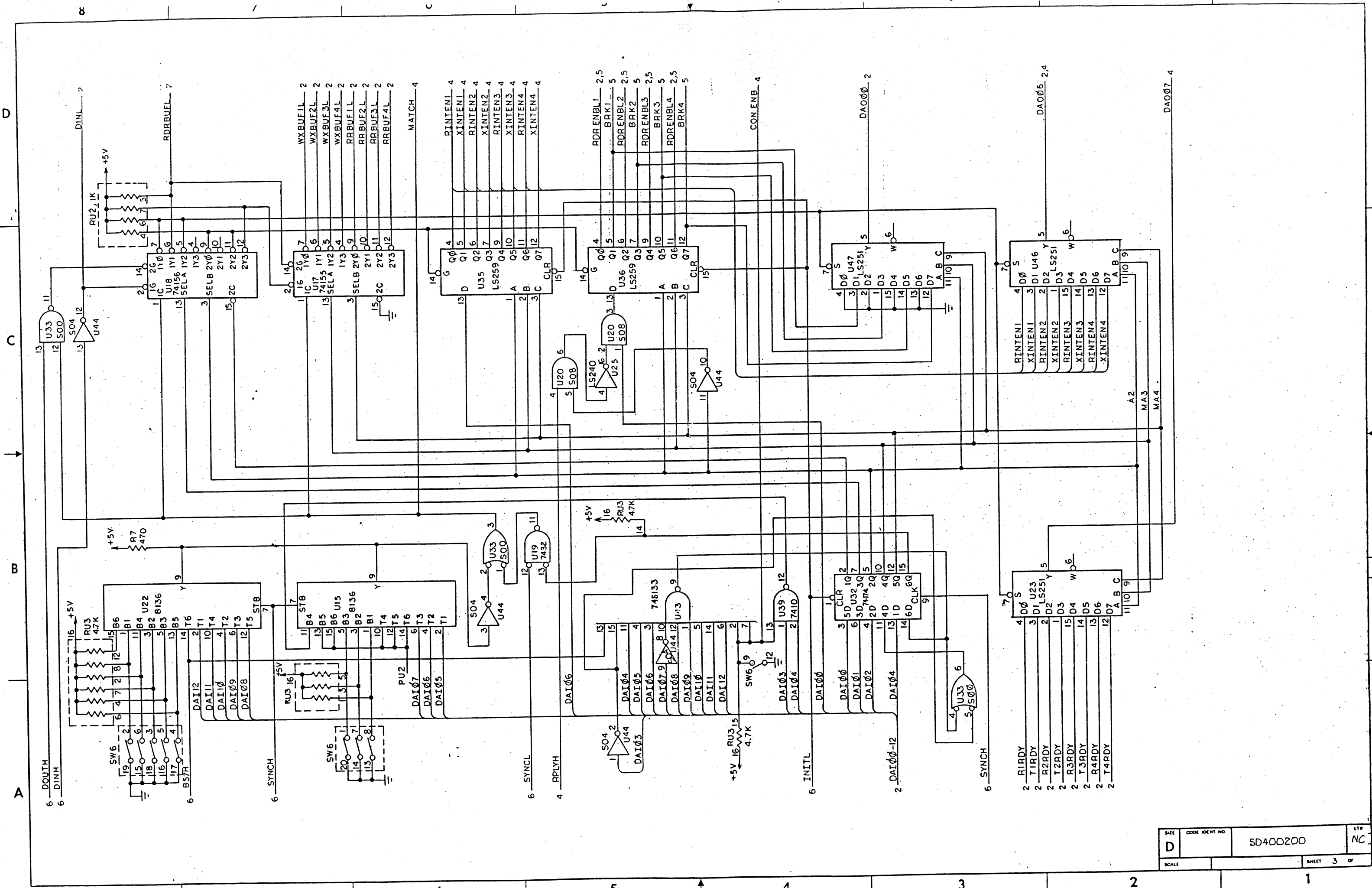
SIZE	DOC NO	SD4-00200	LTR
D			NC
SCALE			
SHEET 2		6	

D

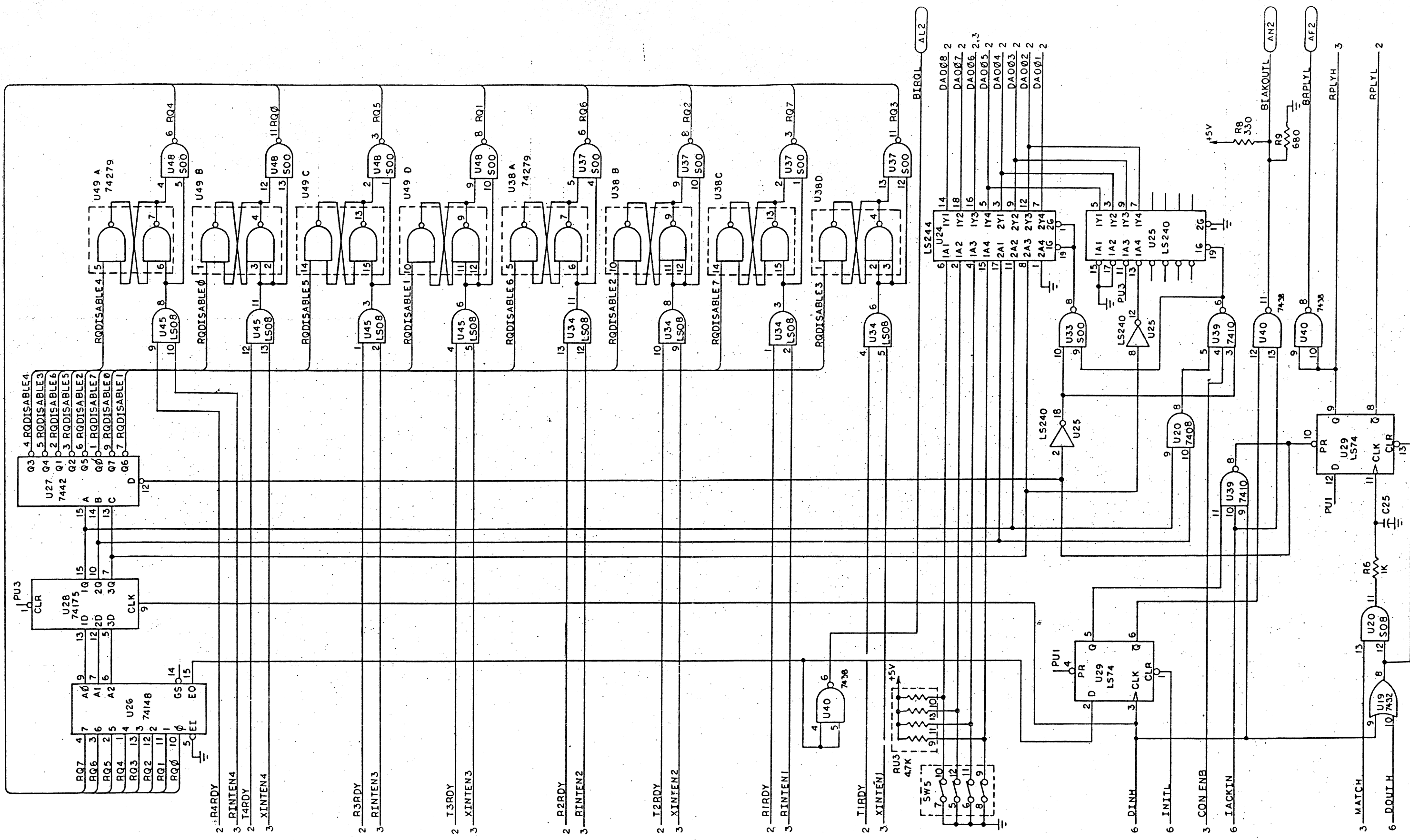
C

B

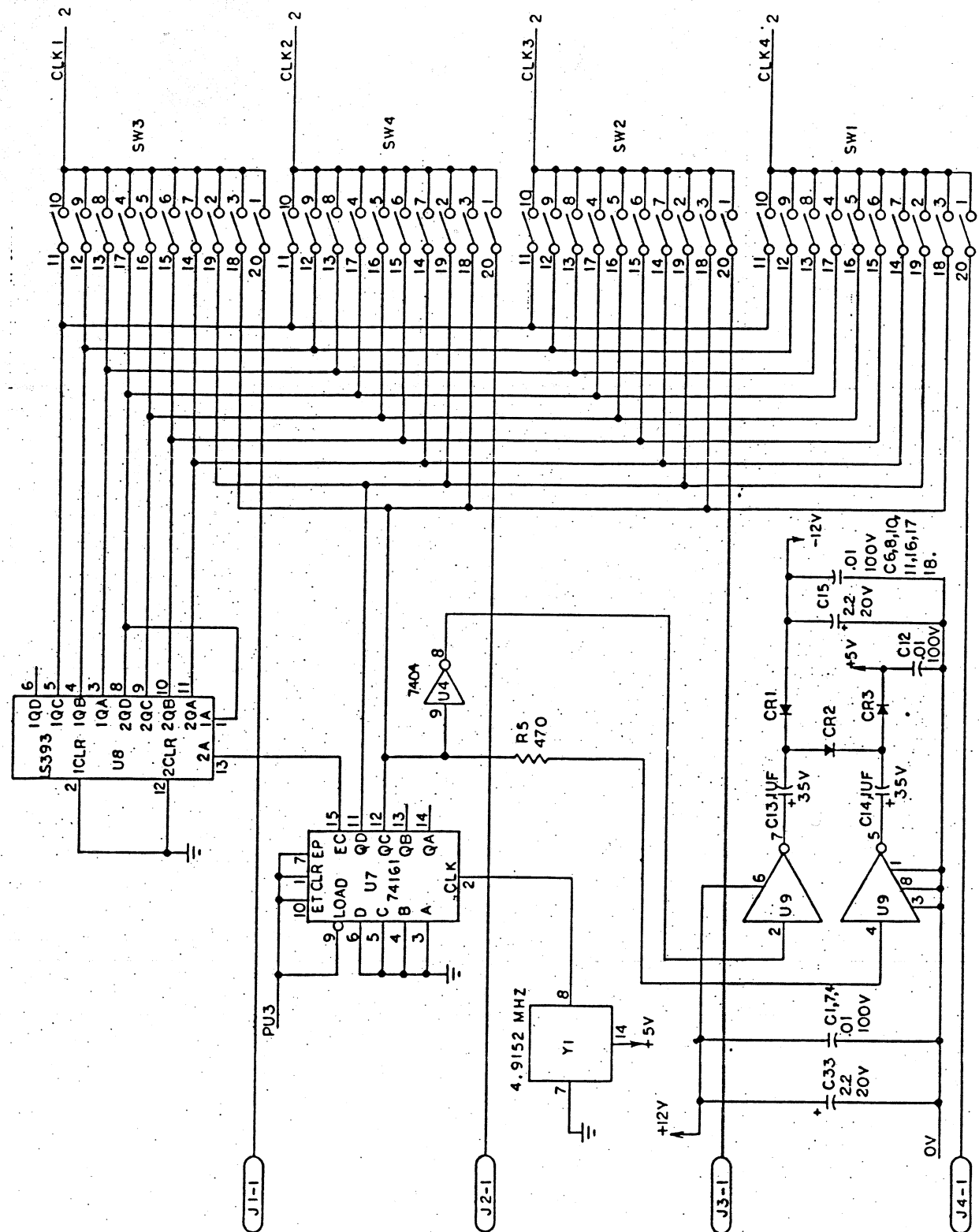
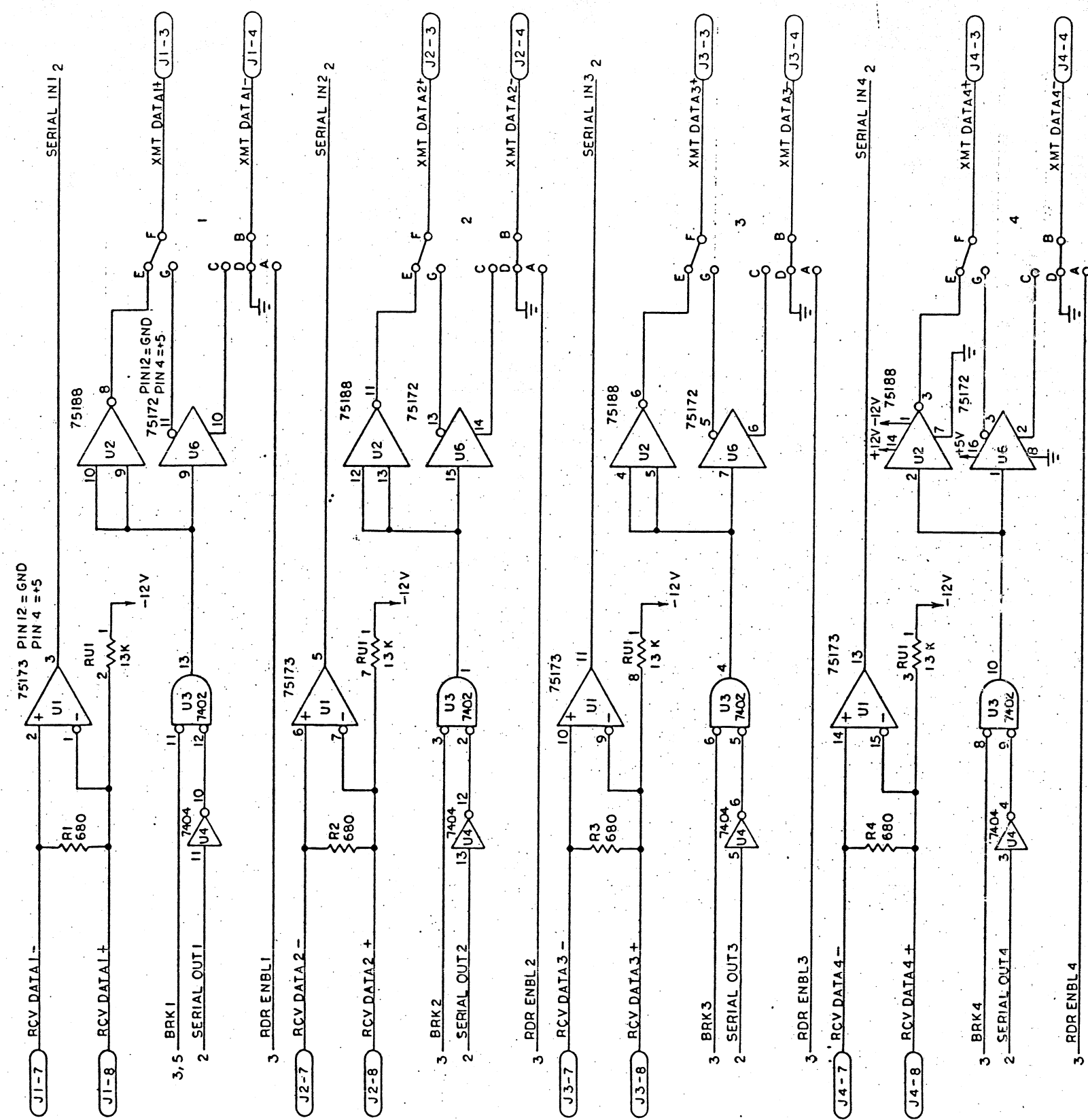
A



A B C D



A B C D

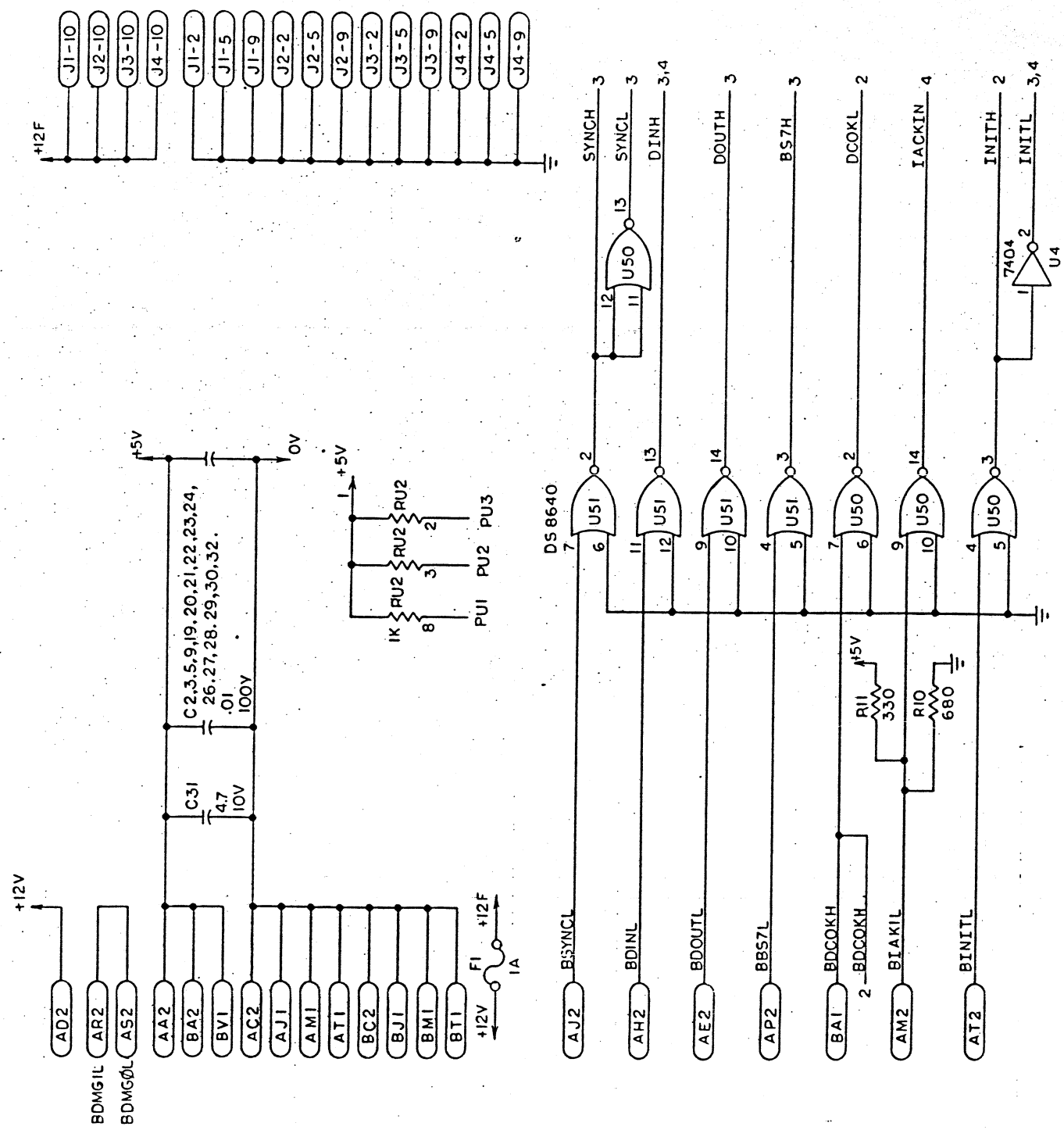


D

C

B

A



D

C

B

A

8

7

6

5

4

3

2

1

SIZE D	CODE IDENT NO	SD400200	LTR NC
SCALE	SHEET 6 OF 6		