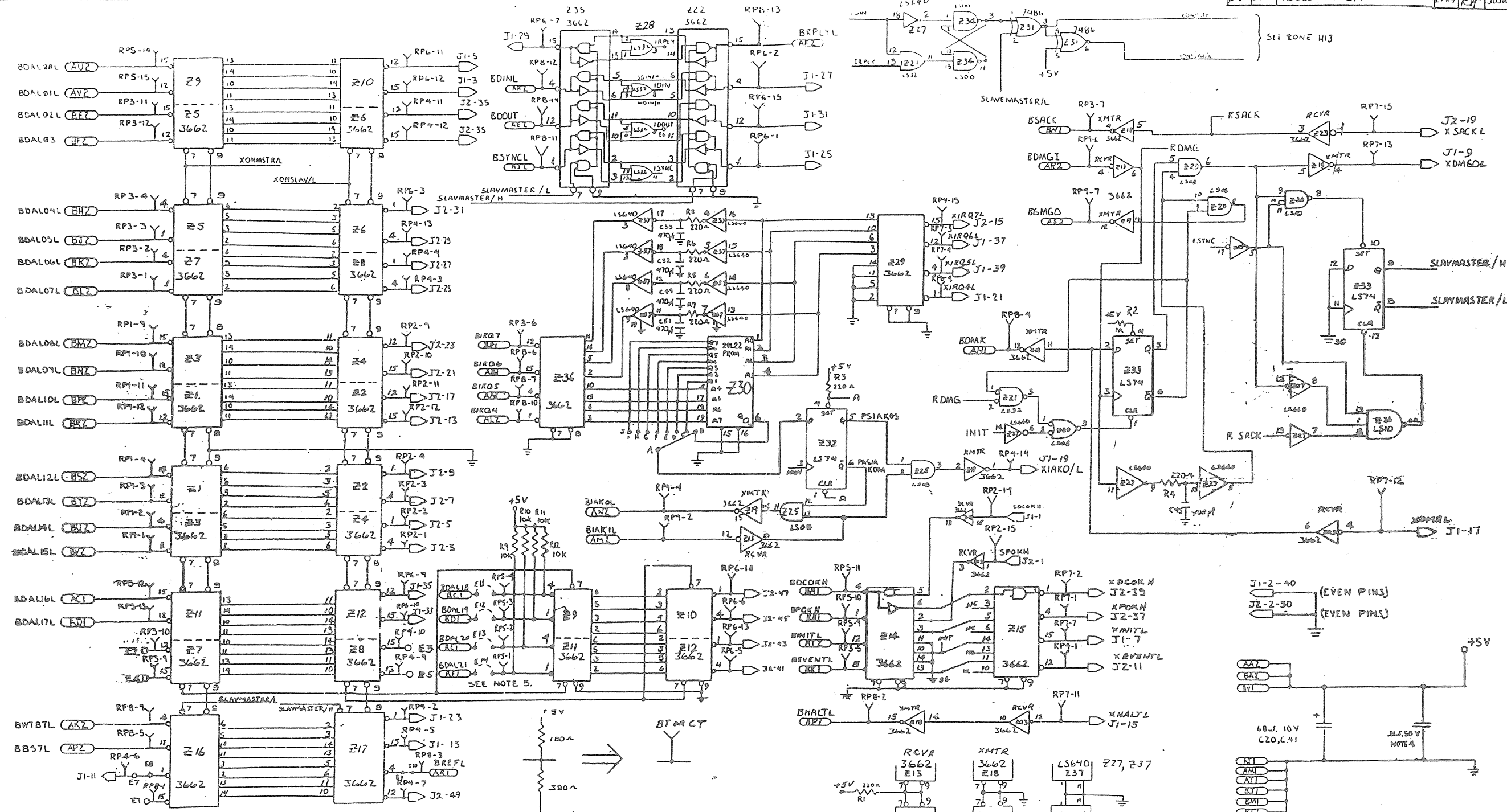


THESE DRAWINGS AND SPECIFICATIONS ARE THE PROPERTY OF ADAC CORPORATION AND SHALL NOT BE REPRODUCED OR COPIED OR USED AS THE BASIS FOR MANUFACTURE OR SALE OF APPARATUS WITHOUT EXPRESSLY WRITTEN AUTHORIZATION.

REV	ECO	DESCRIPTION	DATE	REV	ECO	DESCRIPTION	DATE
01	776	CHANGED JUMPER CON-FIGURATION AT BCI-BF1 (NOTE 5)	7/31/64	02	776	ADDED JUMPER FOR SYSTEM 1000 (INITIALLY SEE NOTE 5)	11/19/63
02	930	DELETED TEXT ZONE I G AND AT 47.	8/3/64	03	007A	REVISED	3-9-65
				04	0710	ADDED E11-E14	30 JUN 65



- NOTES:
1. ALL FINGERS ON BUS CONNECTOR ARE REQUIRED. IF NOT CONNECTED USE FEEDTHROUGH HOLE TO TERMINATE ETC.
 2. E1-E14 ARE TERMINATED WITH FEEDTHROUGHS.
 3. C1-C5, C7-C11, C14-C17, 19, 21, C23-C26, C28-C31, C33-C36, C38-C40, C42-C49, 46, 48, 50.
 4. Z24, NOT USED
 5. JUMPERS AT BCI, BDI, BEI, AND BF1 (E11-E14) ARE NOT INSTALLED FOR THE 1950 CONFIGURATION.

BT1	BT	CT
RP9	RP1	RP2
	RP3	RP4
	RP5	RP6
	RP8	RP7

UNLESS OTHERWISE SPECIFIED DIMENSIONS ARE IN INCHES TOLERANCES ON FRACTIONS DECIMALS ANGLES		DATE: 5 JUN 62	adac corporation
MATERIAL		11 FEB 63	
FINISH		DESIGNER: VAP	1953/1950 BUS REPEATER SCHEMATIC
APPLICABLE SPECIFICATIONS		APPROVED:	
NEXT ASSY	USED ON	RELEASED	COPIES: 10
APPLICATION		WEIGHT	D 5-10675

