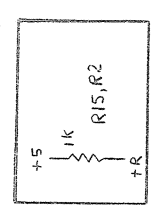
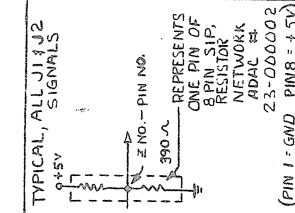
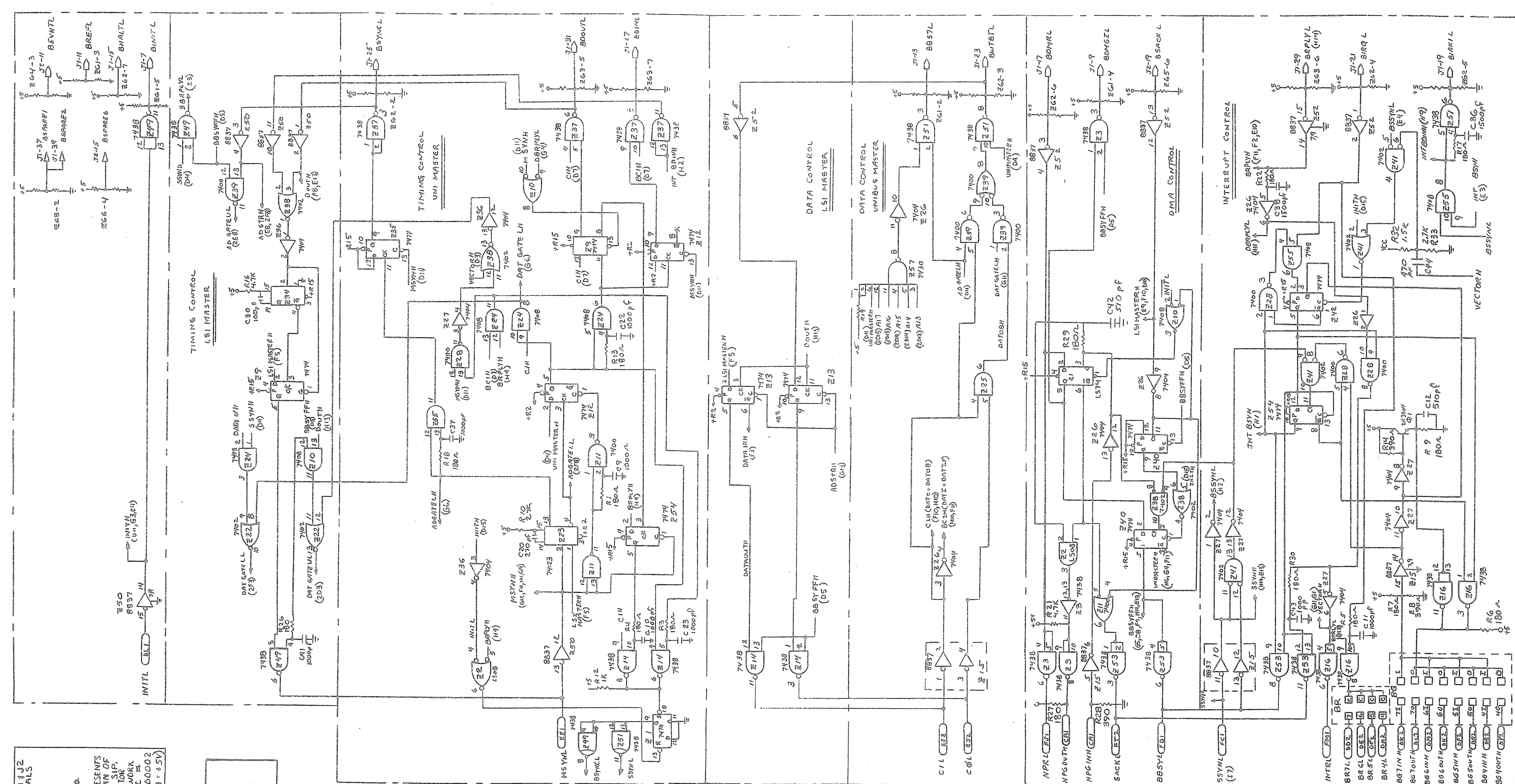


THESE DRAWINGS AND SPECIFICATIONS ARE THE PROPERTY OF adac corporation AND SHALL NOT BE REPRODUCED OR COPIED OR USED AS THE BASIS FOR MANUFACTURE OR SALE OF APPARATUS WITHOUT EXPRESSLY WRITTEN AUTHORIZATION.

REVISIONS				
REV	ECO	DESCRIPTION	BY	DATE
9	0594	ARTWORK REVISIONS	EMH	13 JAN 83
9A	0606	TIMING ERROR CORRECTION	EMH	9-9-83

5-10060-5

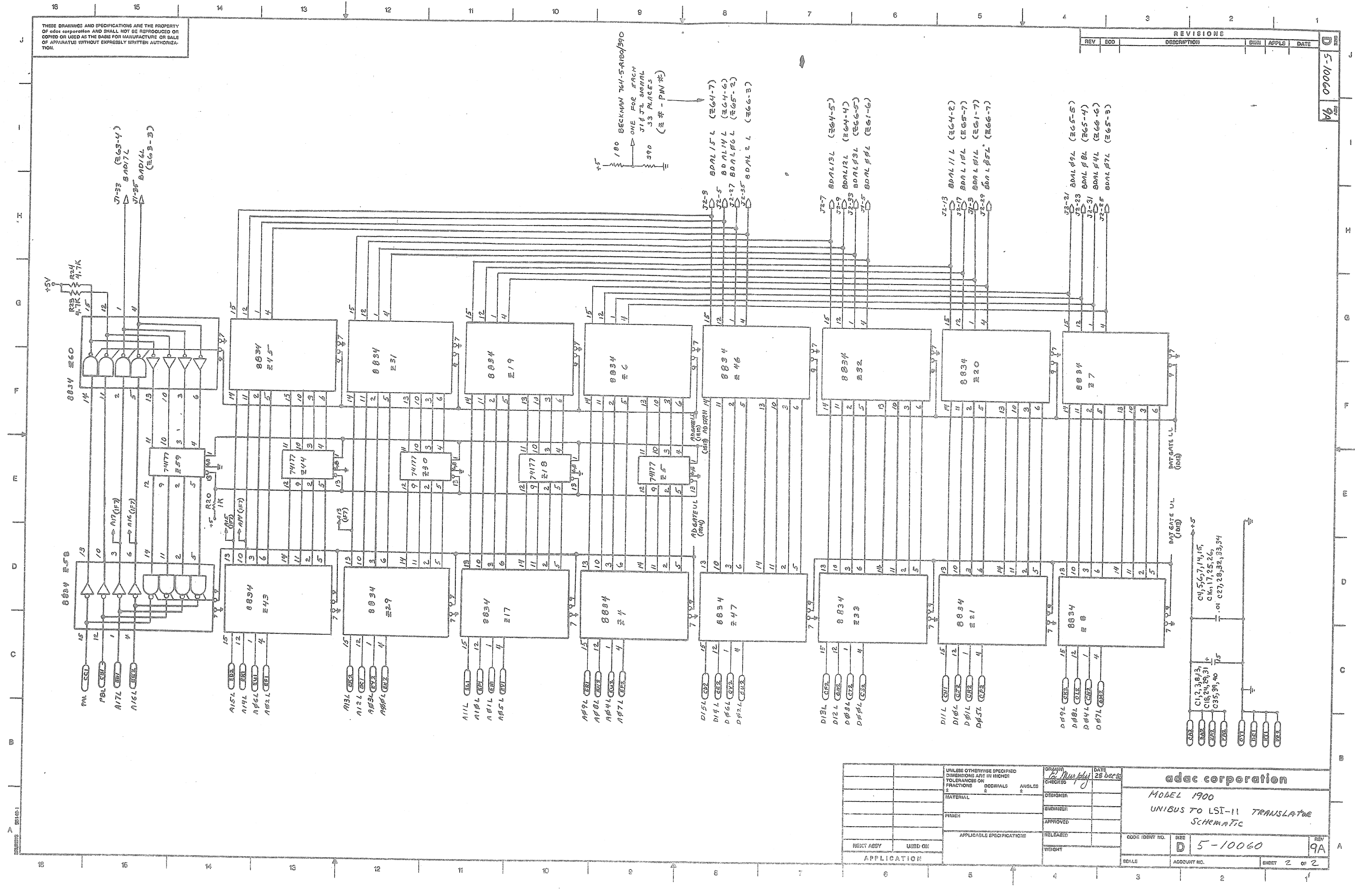


UNLESS OTHERWISE SPECIFIED DIMENSIONS ARE IN INCHES TOLERANCES ON FRACTIONS DECIMALS ANGLES		DRAWN: <i>Murphy</i> CHECKED: <i>[Signature]</i> DATE: 3-7-83
MATERIAL	FINISH	DESIGNER
APPLICABLE SPECIFICATIONS	RELEASED	ENGINEER
NEXT ASSY USED ON	WEIGHT	APPROVED
APPLICATION		
adac corporation		MODEL 1900
		UNIBUS TO LSI-11 TRANSLATOR
		SCHMATIC
CODE IDENT NO.	SIZE	REV
D	5-10060	9A
SCALE	ACCOUNT NO.	SHEET 1 OF 2

THESE DRAWINGS AND SPECIFICATIONS ARE THE PROPERTY OF adac corporation AND SHALL NOT BE REPRODUCED OR COPIED OR USED AS THE BASIS FOR MANUFACTURE OR SALE OF ANY STATUS WITHOUT EXPRESSLY WRITTEN AUTHORIZATION.

REVISIONS				
REV	ECO	DESCRIPTION	BY	DATE
1				

5-10060
9A



UNLESS OTHERWISE SPECIFIED DIMENSIONS ARE IN INCHES TOLERANCES ON FRACTIONS DECIMALS ANGLES		DATE: 28 Dec 78	adac corporation	
MATERIAL		DESIGNER: [Signature]	MODEL 1900	
FINISH		ENGINEER:	UNIBUS TO LSI-11 TRANSLATOR	
APPROVED:		RELEASED:	SCHEMATIC	
APPLICABLE SPECIFICATIONS:	RELEASER:	CODE IDENT NO.:	SIZE: D	REV: 9A
NEXT ASSY:	WEIGHT:	SCALE:	5-10060	SHEET 2 OF 2
APPLICATION:		ACCOUNT NO.:		